

Sniffer4D[®] V2

TDLAS Methane Sensing Module

Visualized Quantitative Methane Detection at 1 ppm Resolution



Drone-mounted/Ground Vehicle-mounted TDLAS Methane Sensing Module for Quantitative Methane Detection

The TDLAS Methane Sensing Module supports integration on drones, ground vehicles and other moving platforms, achieving quantitative methane detection at 1 ppm resolution. Besides conforming to GBT33672-2017, the TDLAS Methane Sensing Module delivers the best resolution & minimum detection limit in its class in terms of the size and weight. Meanwhile, the advanced real-time data visualization and analytical software provides intuitive & insightful information for decision makers.



1ppm Ultra-high Detection Resolution

The state-of-the-art TDLAS Methane Sensing Module delivers the best resolution & minimum detection limit in its class in terms of the size and weight.



Conforming to USEPA Method 21 (M21)

Tunable Diode Laser Absorption Spectroscopy(TDLAS) detection method & contact-based detection.



Sensitive to Methane (CH4) Only

The state-of-the-art TDLAS detection method offers exceptional gas selectivity, making the system only sensitive to methane (CH4).



Advanced Real-time Data Visualization

Sniffer4D Mapper analytical software supports both real-time and historical data analysis.



Response to Methane within Seconds

The state-of-the-art TDLAS Methane System responses to methane within seconds, maximizing the operational efficiency.



Integration on Multiple Platforms

Plug&Play, allowing easy integration on drones, ground vehicles and other moving platforms.

Drone-mounted High-res TDLAS Methane Sensing Module

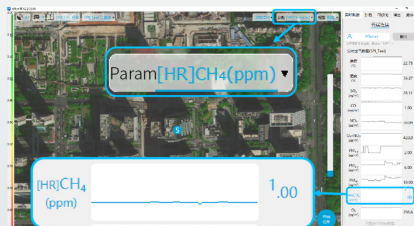
Ultra Lightweight

With a total weight of 250g, the TDLAS Methane Sensing Module maximizes the flight time of the aircraft.



1ppm Ultra-high Detection Resolution

Specifically designed for DJI M300 RTK or other drones, the TDLAS Methane Sensing Module can perform methane detection at a resolution of 1~1.5ppm. "HR: High Resolution"



Seamless Integration

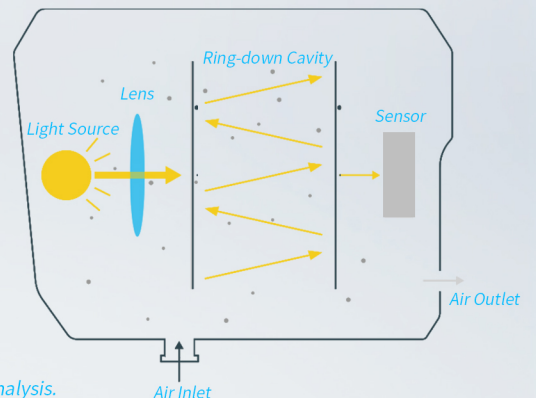
Seamless integration with DJI M300 RTK, supporting real-time data viewing and device control via DJI Pilot and Cloud ends.



State-of-the-art Tunable Diode Laser Absorption Spectroscopy (TDLAS) Detection Method

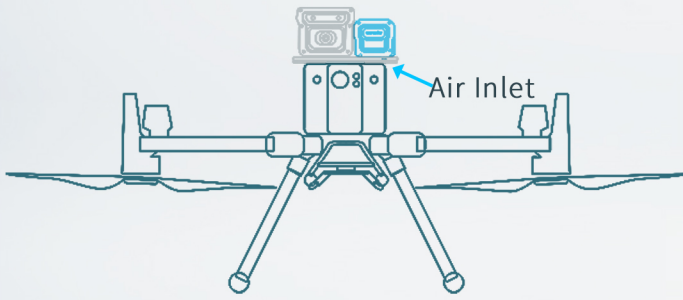
- >>> The state-of-the-art TDLAS detection method offers exceptional gas selectivity, making the module only sensitive to methane (CH4).
- >>> Shortened response time to only a few seconds.
- >>> 1ppm ultra-high detection resolution and minimum detection limit thanks to its high signal-to-noise ratio.
- >>> Auto calibration at every startup.

** As one of the emerging high-res spectroscopy-based detection methods, the TDLAS-based detection method has been widely applied in micro quantity and substance analysis.*

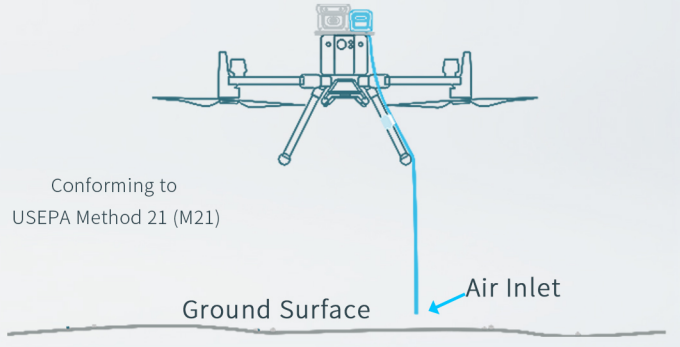


Two Ways for Taking Air Sample

Taking air sample near the system



Taking air sample near the ground surface

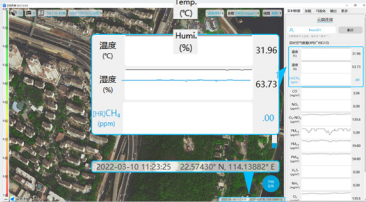


Smart Real-time Visualized Methane Monitoring

Advanced Real-time Data Visualization

Sniffer4D Mapper analytical software displays real-time data, including methane concentration, longitude & altitude, mission time, temperature, humidity, etc.

"HR: High Resolution"



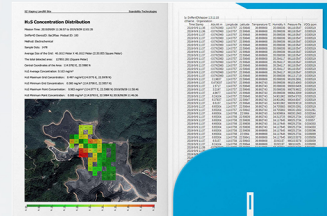
Unlimited Data Transmission

The TDLAS Methane Sensing Module requires integration with Sniffer4D V2 base unit to get started, achieving unlimited data transmission range via Sniffer4D V2's built-in 4G.



One-click Report Generation

One click to generate a mission report including key results, or a CSV file containing all the raw data. Making work reporting easy like never before.



3 Types of Gas Concentration Distribution Maps

Sniffer4D Mapper analytical software supports displaying 2D Grid Map, 2D Isoline Map and 3D Point Map in real-time, providing intuitive & insightful information for methane source location and concentration distribution mapping.



Real-time Warning

The front and rear warning lights of the Sniffer4D V2 have large visible angle. The color automatically changes according to the methane concentration, notifying on-site personnel about the risks in real-time.



Typical Applications



Soarability

For more information:
www.soarability.com
inquiry@soarability.tech
www.linkedin.com/company/soarabilitytech/

60 PAYA LEBAR ROAD #11-53 PAYA LEBAR SQUARE
 SINGAPORE (409051)